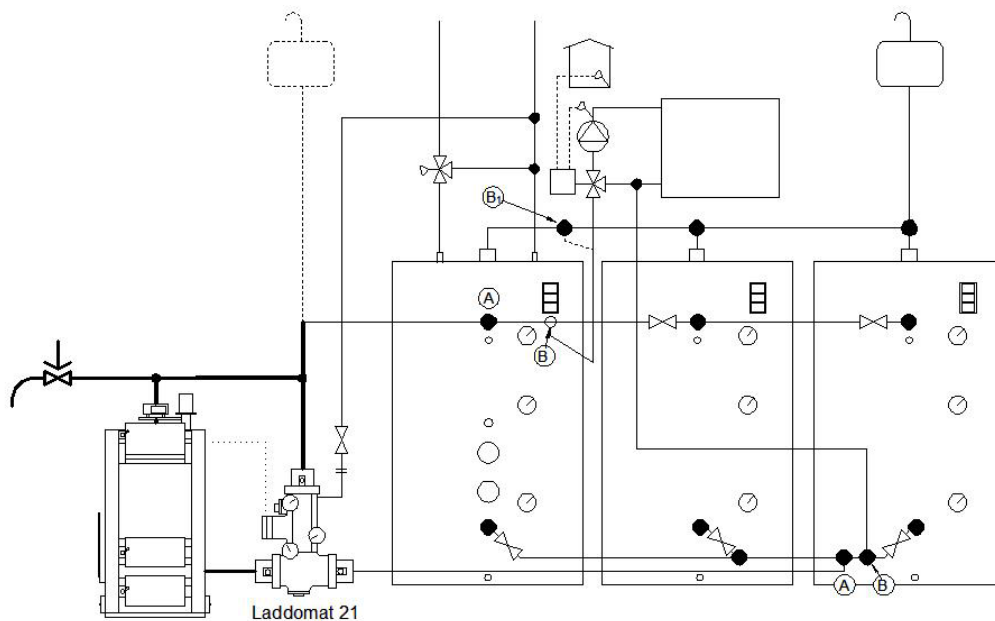


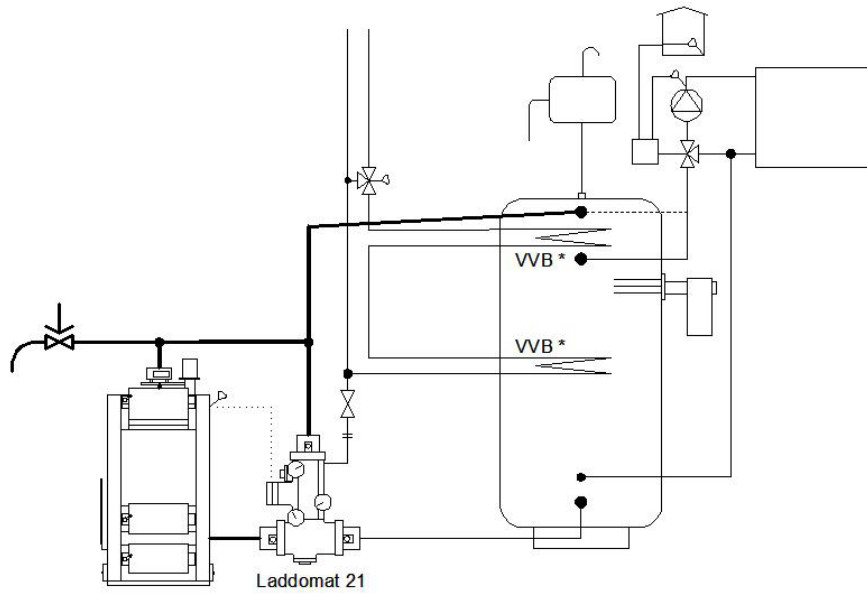
Schema 1: Pellets boiler/ solid fuel boiler connected to gas boiler and hot water tank together with accumulation tank .

www.cichewicz.com

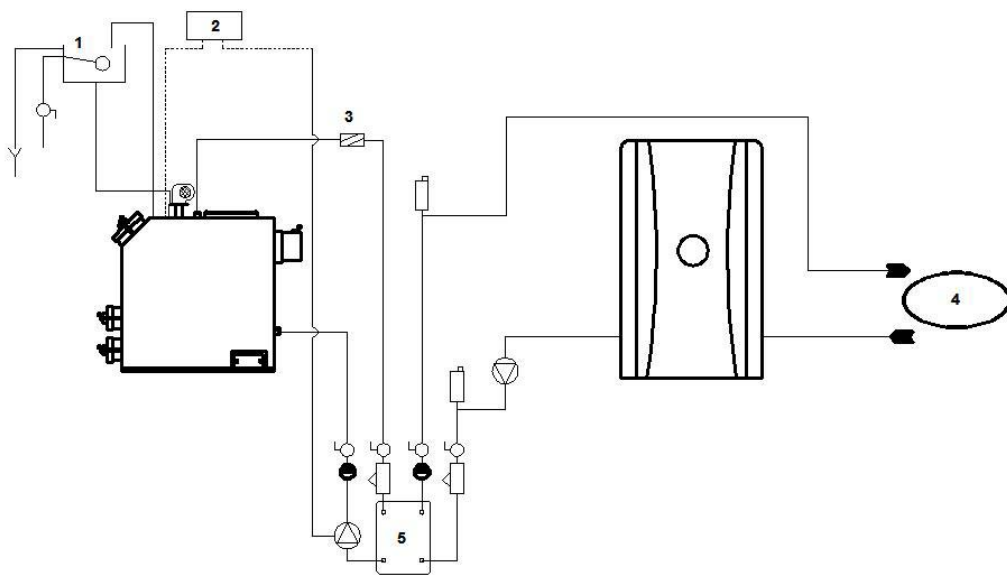


Schema 2 : Solid fuel boiler connected to 3 accumulation tanks

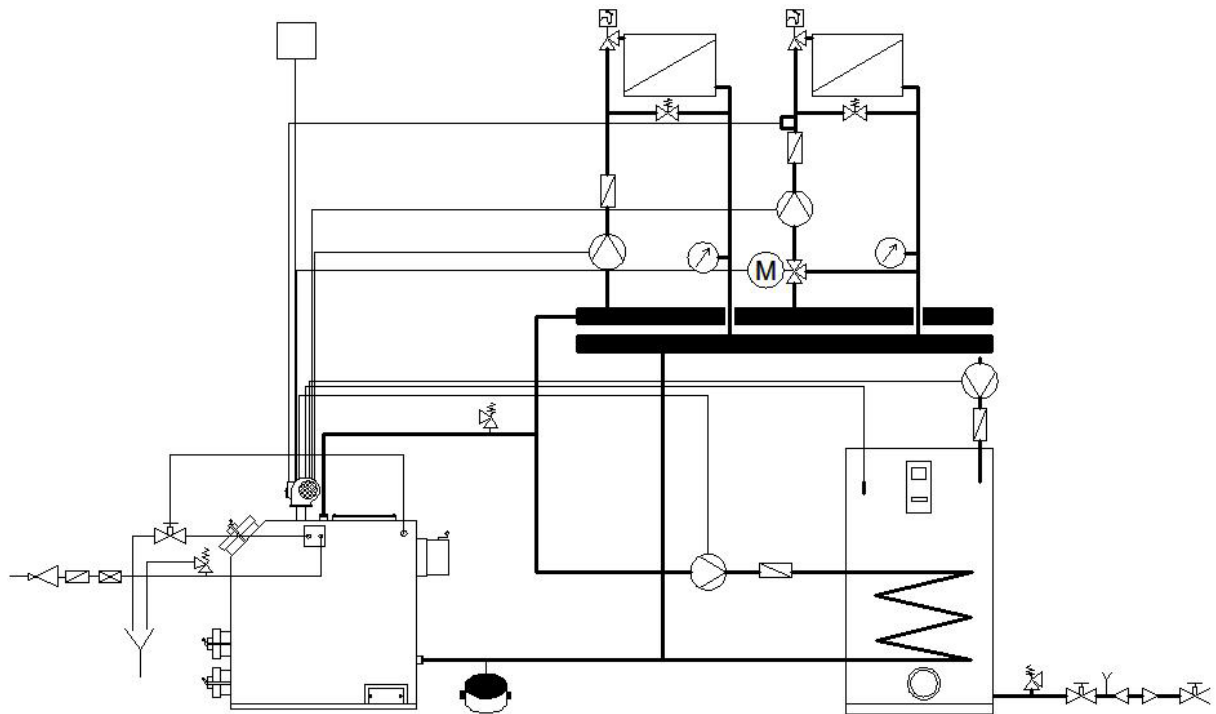
www.cichewicz.com



Schema 3 : Solid fuel boiler connected to accumulation tank
www.cichewicz.com

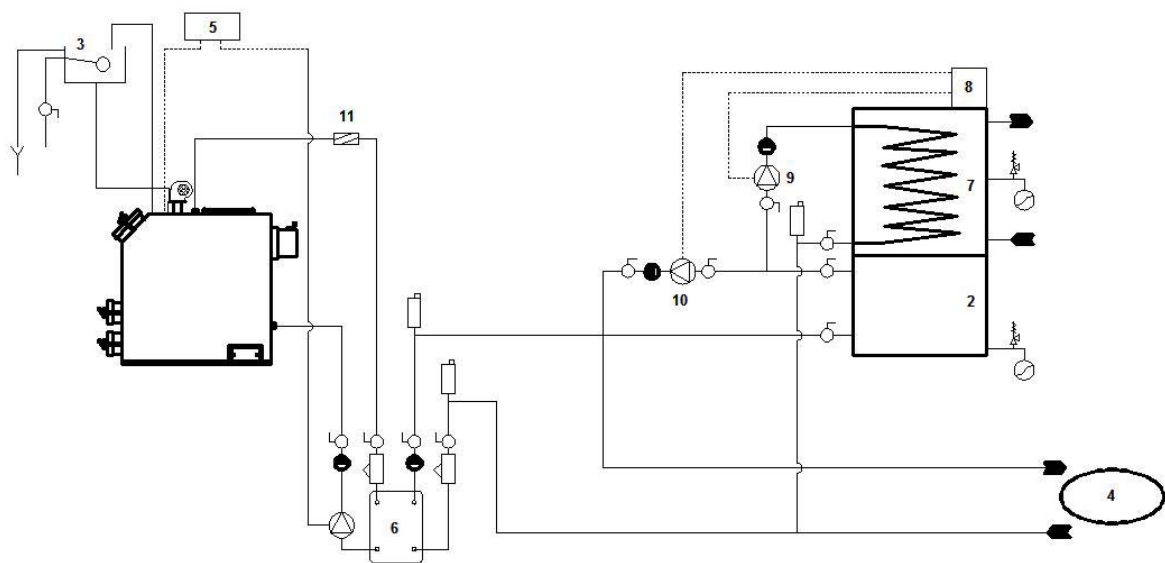


Schema 4 : Solid fuel boiler connected to gas boiler through plate exchanger
www.cichewicz.com



Schema 5 : Solid fuel boiler and close system through EN 303-5 spiral

www.cichewicz.com



Schema 6 : Solid fuel boiler connected with hot water through Plate exchanger.

www.cichewicz.com